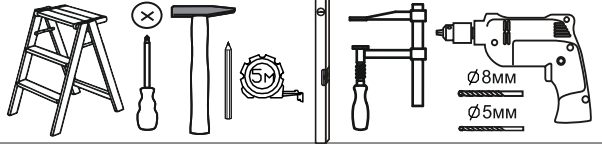


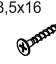


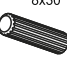




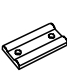
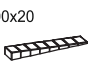
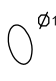
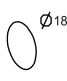



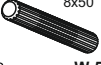


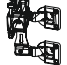



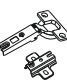






№	O/A 1200	Qty	Pkg
1	2200*507*16	1	1/5
2	2200*507*16	1	1/5
3	2096*450*16	1	1/5
4	1182*507*16	1	2/5
5	1182*507*16	1	2/5
6	590*450*16	1	2/5
7	576*450*16	2	2/5
8	576*450*16	3	2/5
9	1181,5*70*16	2	2/5
10	388*40*16	2	2/5
11	2145*604*16	2	3/5
12	2123*596*3	1	3/5
13	2123*610*3	1	3/5
NV05	L=1180	1	4/5
NN05	L=1180	1	4/5
SH01	L=586	1	2/5
RP04	L=1100	1	5/5






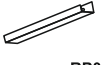

6x34  20x <b>T01</b>	Ø15  24x <b>D15</b>	3,5x16  20x <b>S01</b>	7x50  6x <b>E01</b>	 4MM 1x <b>K4</b>	8x30  20x <b>W-30</b>	1,6x25  60x <b>G01</b>	 2x <b>ST01</b>		
76x32  2x <b>O01</b>	 2x <b>B01</b>	 6x <b>P01</b>	100x20  2x <b>P03</b>	Ø15  16x <b>Z06</b>	Ø18  24x <b>Z07</b>	2x25  14x <b>G02</b>	16x16  14x <b>G03</b>		
8x84  2x <b>T04</b>	8x50  2x <b>W-50</b>	5x16  12x <b>C01</b>							

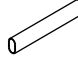

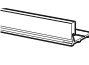


3,5x16  28x <b>S01</b>	 1x <b>WL01</b>	 1x <b>WL02</b>	 4x <b>WL03</b>	4x16  10x <b>S03</b>
 4x <b>PN01</b>	6,3*12,5  26x <b>WL05</b>	 1x <b>WL06</b>	 4x <b>WL04</b>	 2x <b>WL07</b>



3,5x16  32x <b>S01</b>	 8x <b>PN01</b>	 2x <b>DN01</b>
--	--	--

L=1100  1x <b>RP04</b>	4,2x16  6x <b>S01</b>
--	--

L=586  1x <b>SH01</b>	L=1180  1x <b>NV05</b>	L=1180  1x <b>NN05</b>
---	---	---

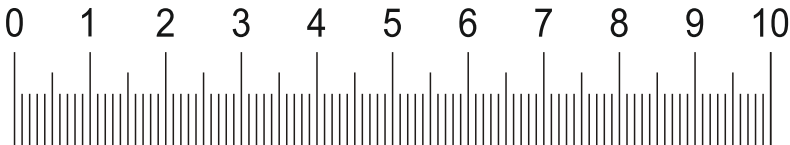
Ø 5 mm



Ø 15 mm



Ø 20 mm



1

6x34

14x

T01

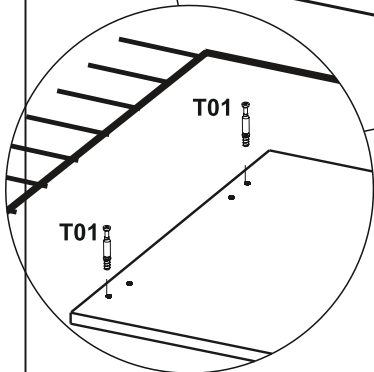
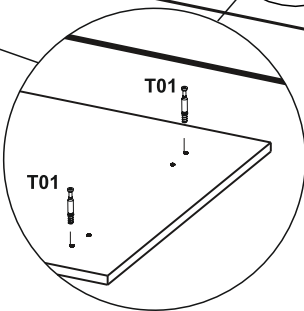
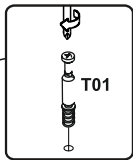
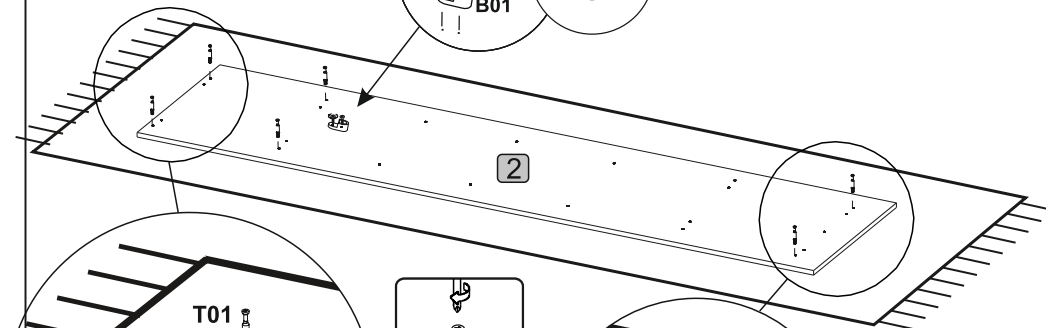
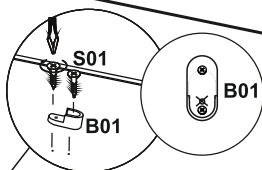
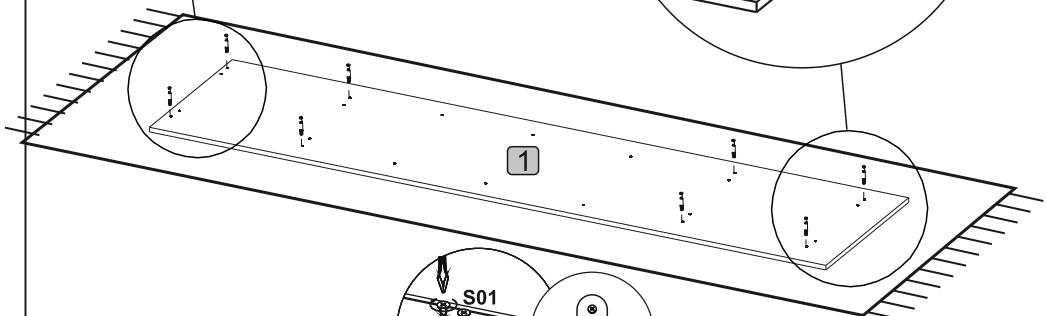
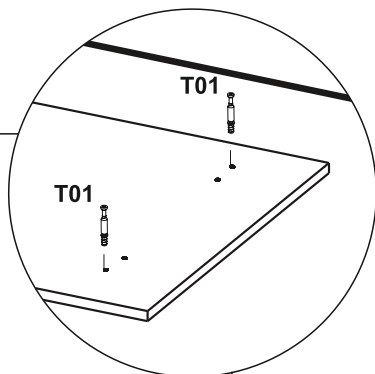
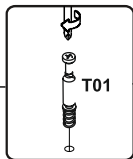
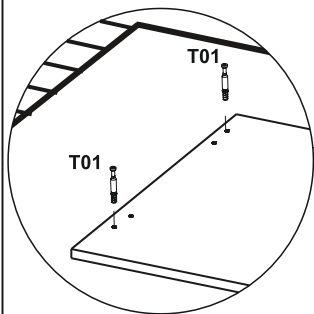
3,5x16

2x

S01

1x

B01



2

6x34

2x

T01

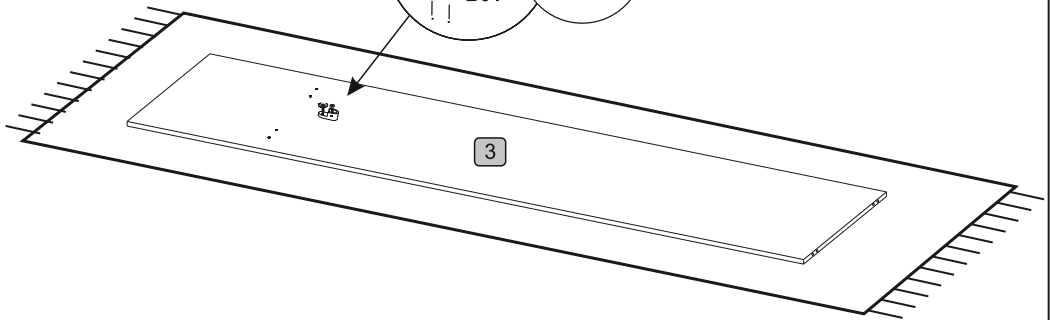
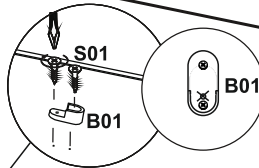
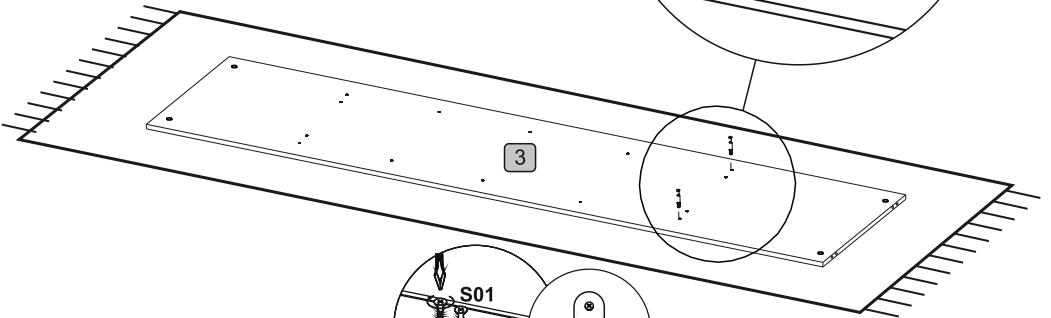
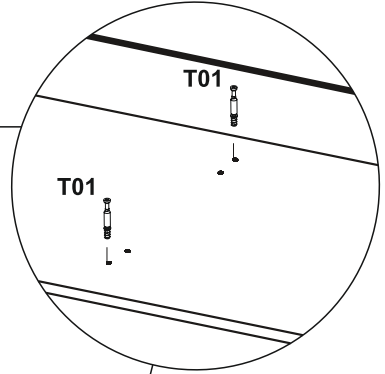
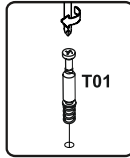
3,5x16

2x

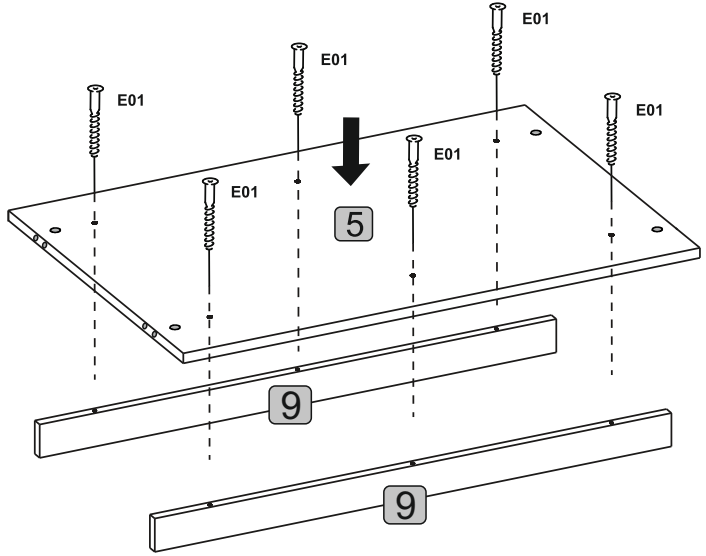
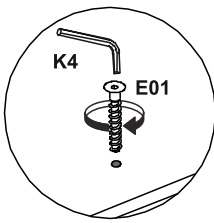
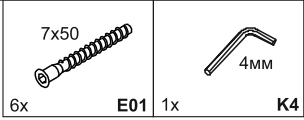
S01

1x

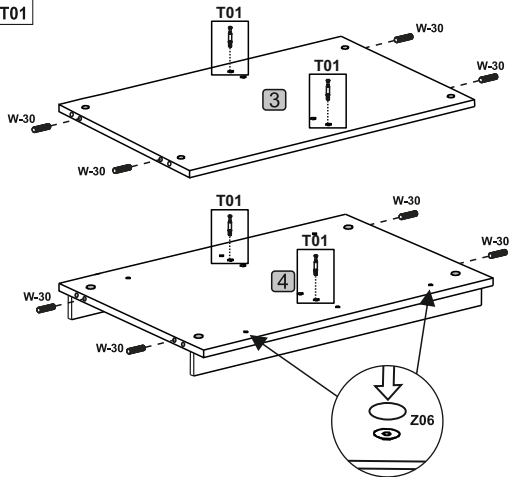
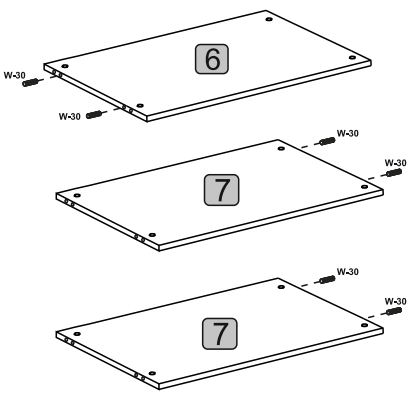
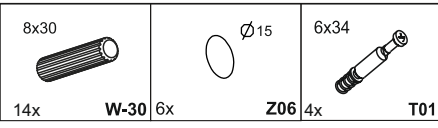
B01



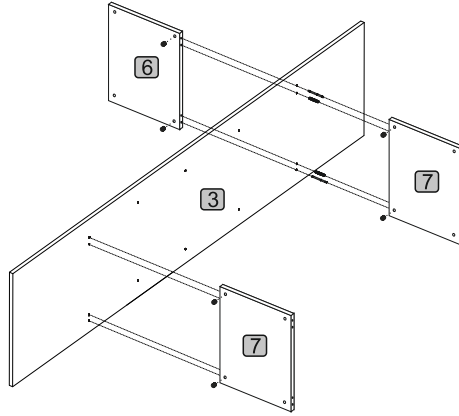
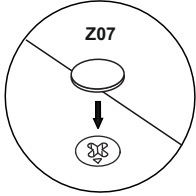
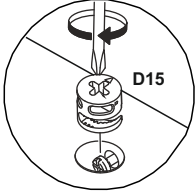
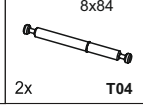
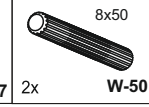
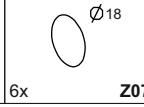
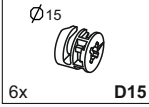
3



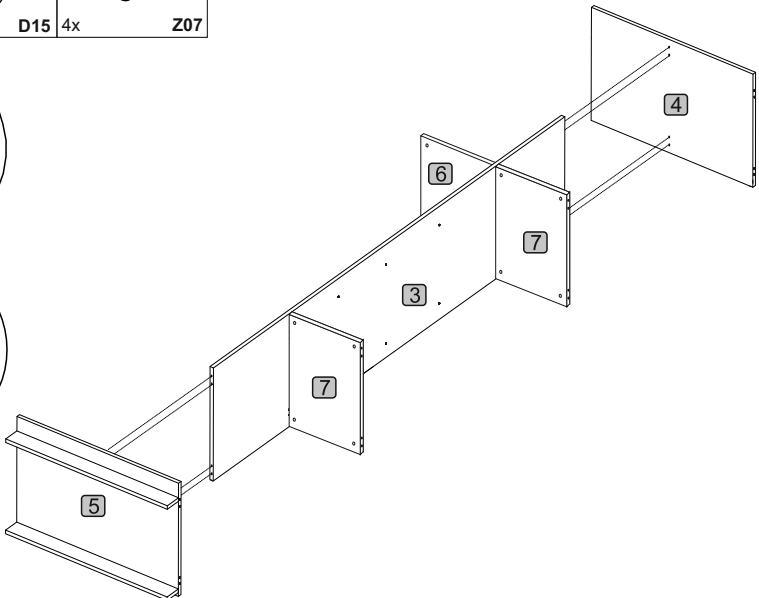
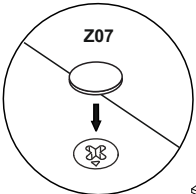
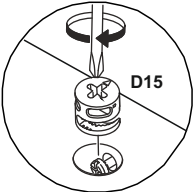
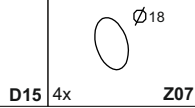
4



5



6



7



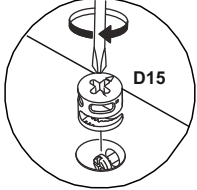
14x

D15

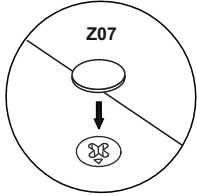


14x

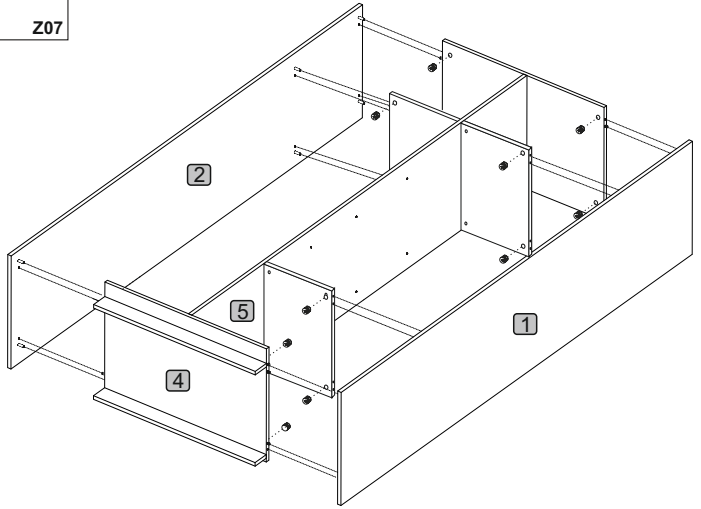
Z07



D15



Z07



8

1,6x25

60x

G01



6x

P01

3,5x16

12x

S01

2x25

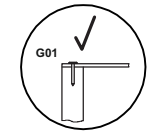
14x

G02

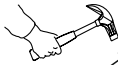
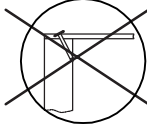


14x

G03

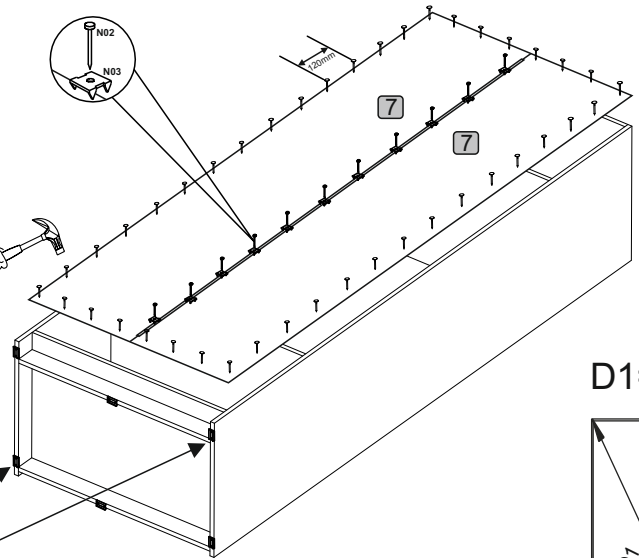


G01

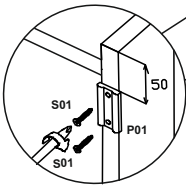
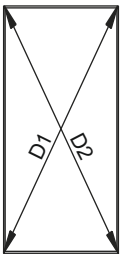


N02

N03



D1=D2



S01

S01

P01

50



9



2x

O01

3,5x16



4x

S01

100x20



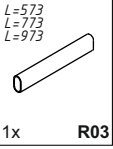
2x

P03



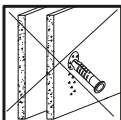
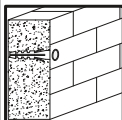
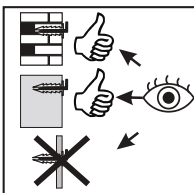
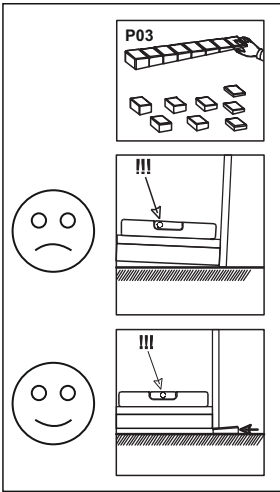
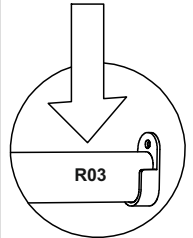
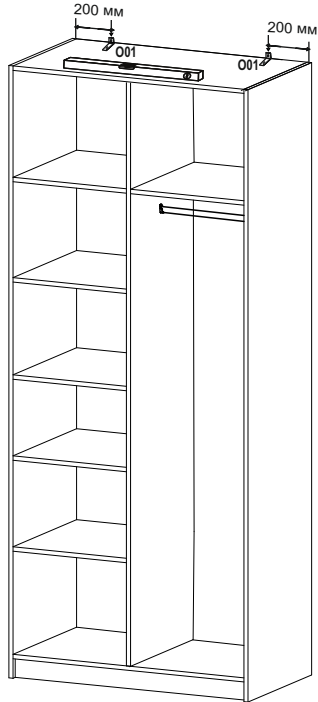
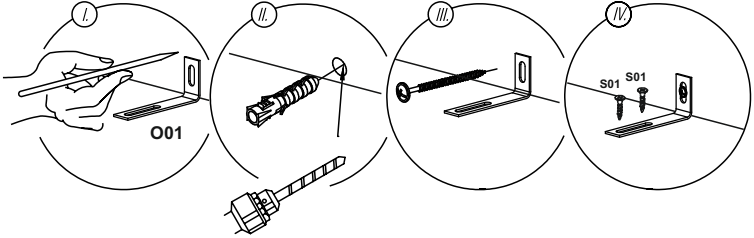
12x

Z06

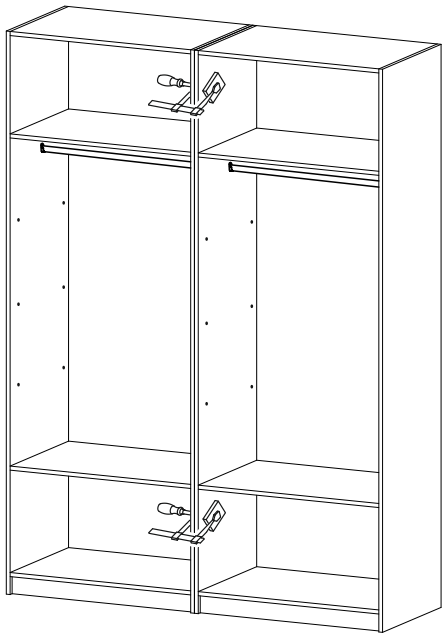
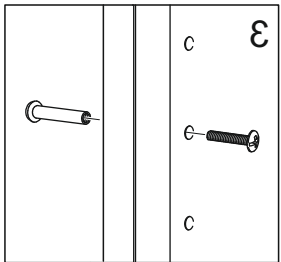
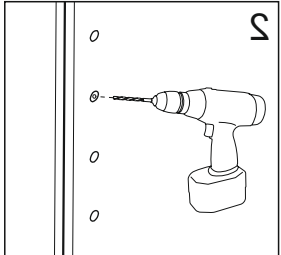
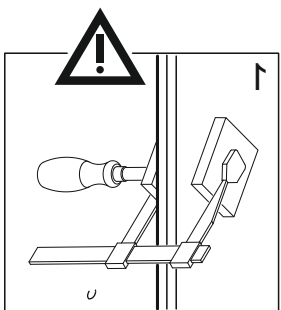
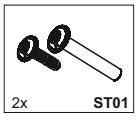


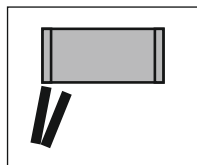
1x

R03



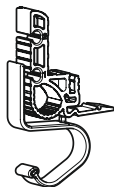
10



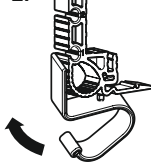


WL07

1.

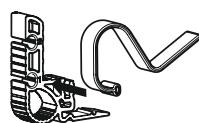


2.



**CLICK!**

3.



**11**

4x16



6x

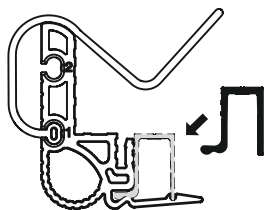
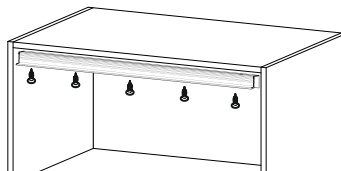
S03

L=1180

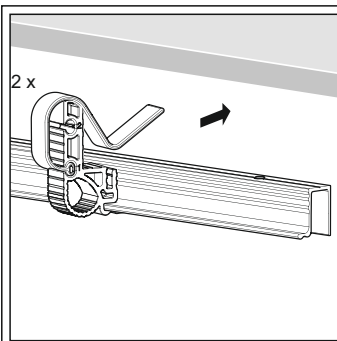


1x

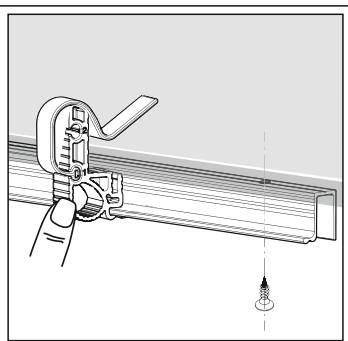
NV05



WL07



2 x



**12**

4x16



6x

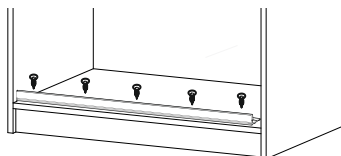
S03

L=1180

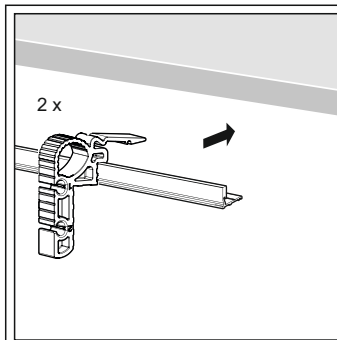
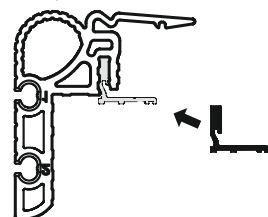


1x

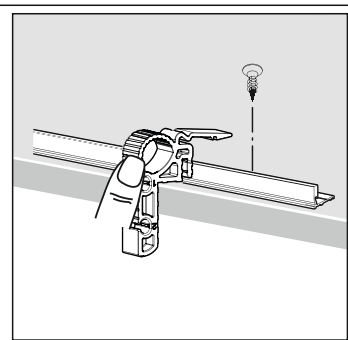
NN05









WL07

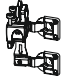







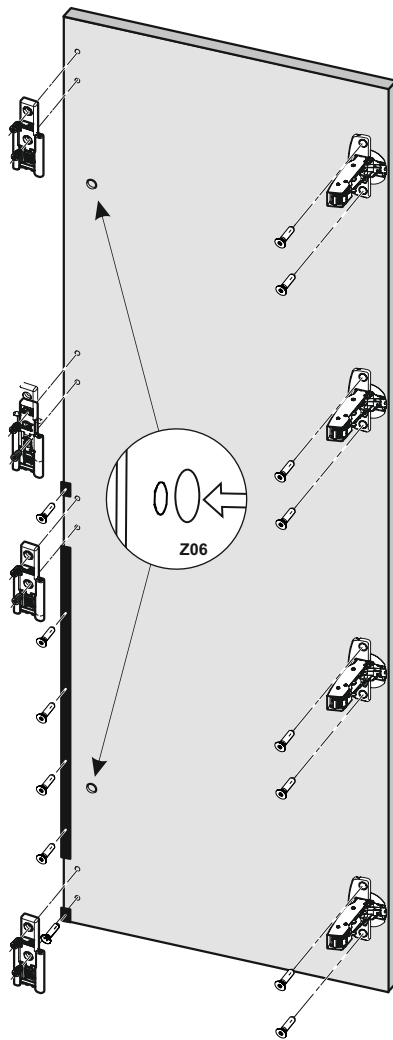
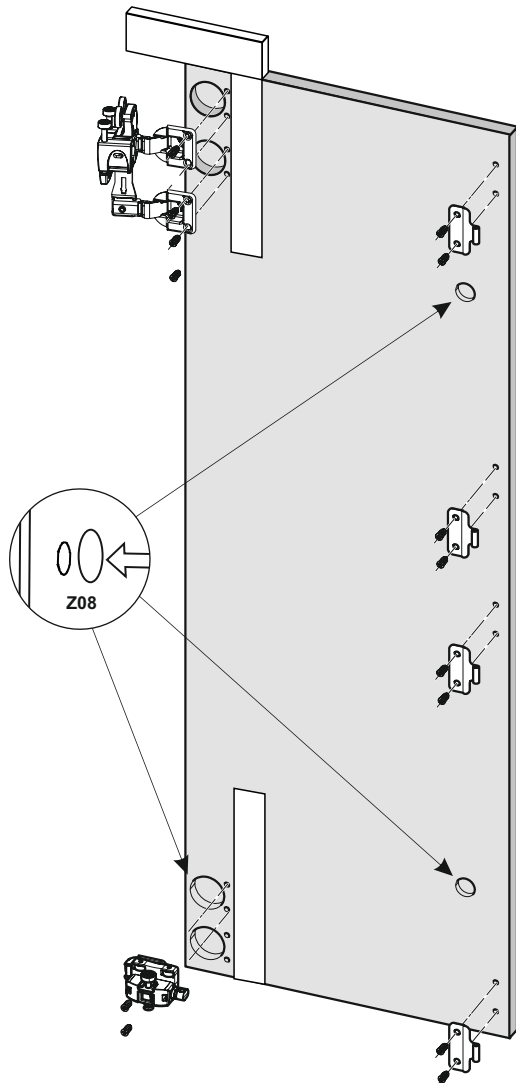
2 x



# 13

3,5x16 		L=1100 
8x S01	4x PN01	1x RP04
4,2x16 		
6x S01	2x Z06	3x Z08

		
1x WL01	1x WL02	4x WL03
6,3*12,5 		
26x WL05	1x WL06	4x WL04



**14**

3,5x16

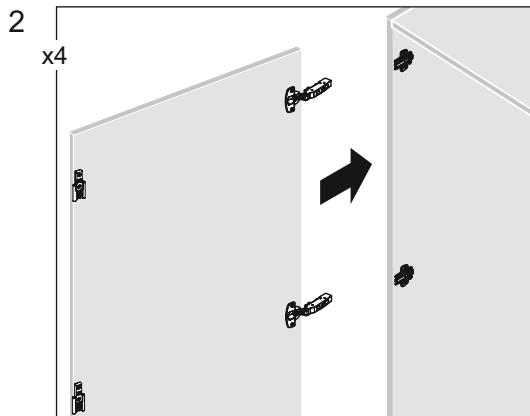
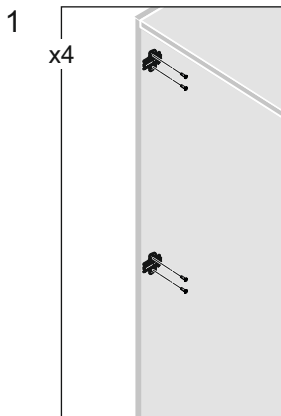


8x

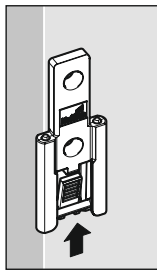
S01

4x

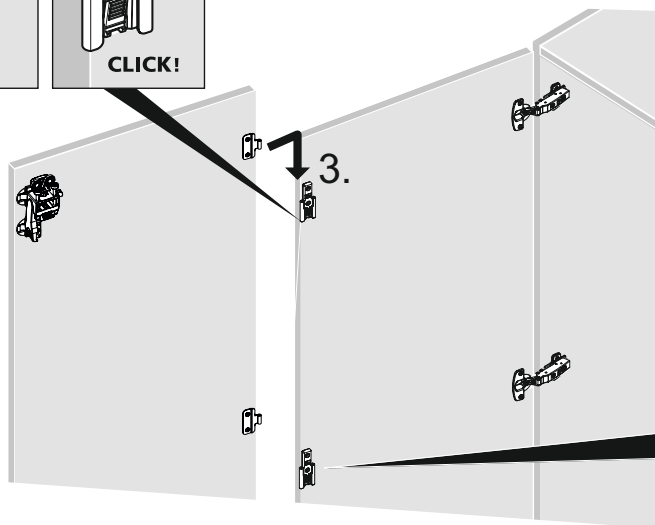
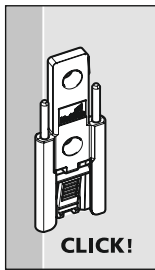
PN01

**15**

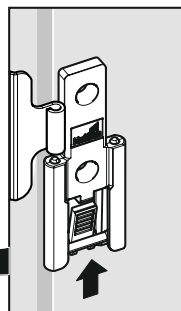
1.



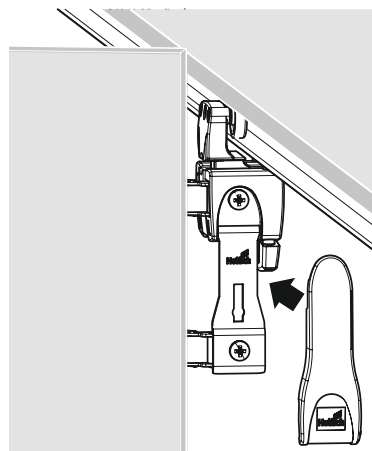
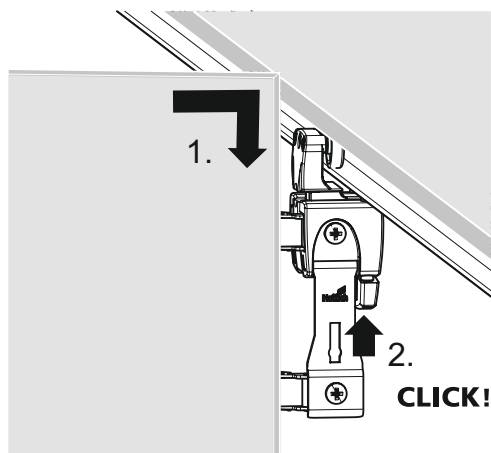
2.



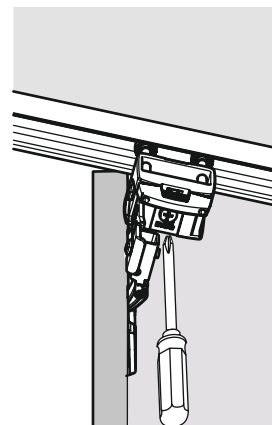
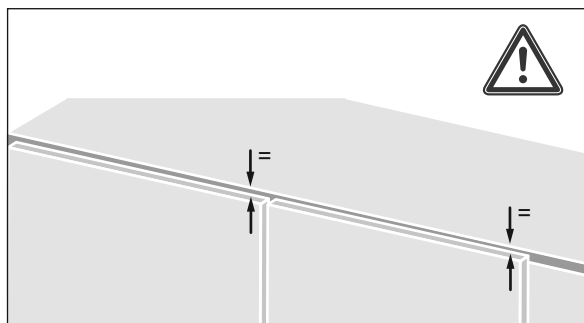
4.



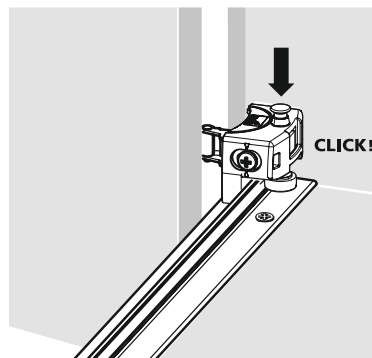
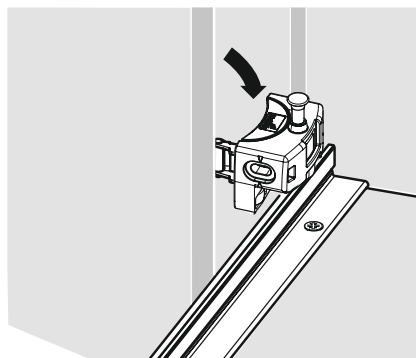
16





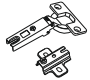

17

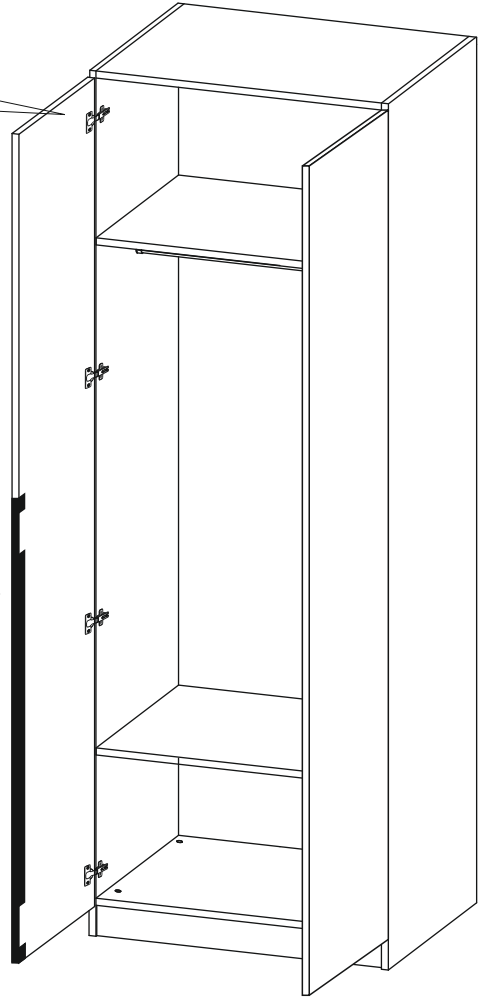
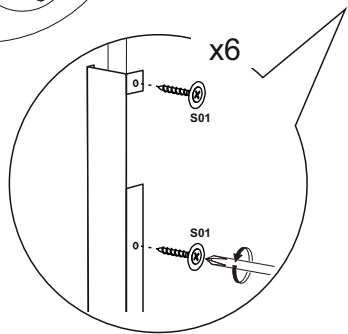
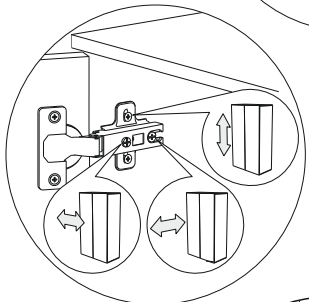
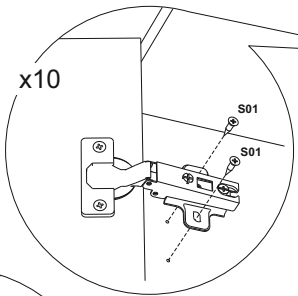
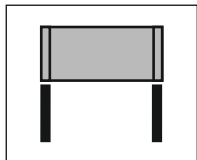


18

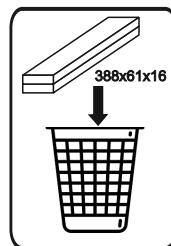
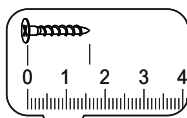
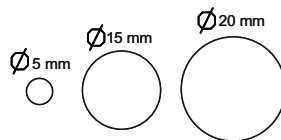
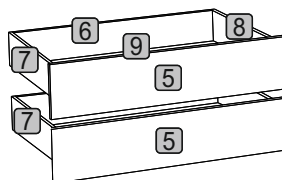
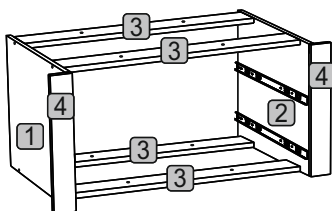
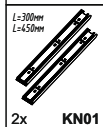


# 19

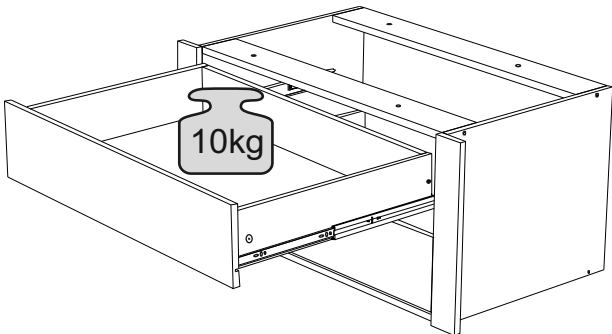
<p>3,5x16 S01 32x</p> 	<p>L=1100 RP04 1x</p> 	<p>PN01 8x</p> 	<p>4,2x16 S01 6x</p> 
---	---	--	--



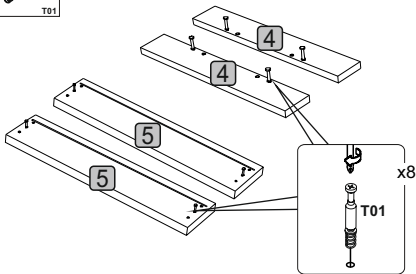
Nº	↙ 576	↙ 600	Pkg
1	388x455x16	1	6/6
2	388x455x16	1	6/6
3	454x80x16	4	6/6
4	388x41x16	2	2/5
5	446x158x16	2	6/6
6	396x100x16	2	6/6
7	450x100x16	2	6/6
8	450x100x16	2	6/6
9	455x428x3	2	6/6
<b>KN01</b>	<b>L-450</b>	<b>2</b>	<b>6/6</b>



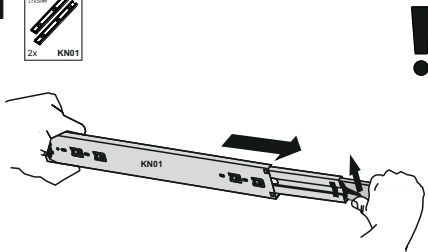




20 6x34  
8x T01

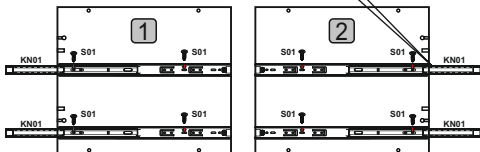
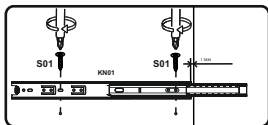


21 1.18mm  
1.43mm  
2x KN01

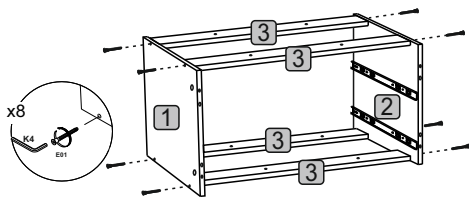


22 3.5x16  
8x S01

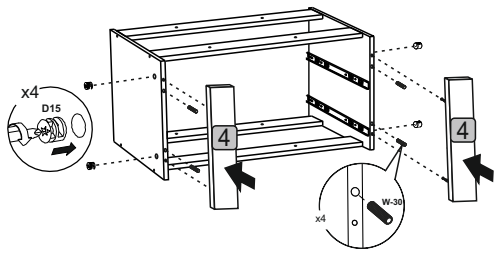
1.18mm  
1.43mm  
2x KN01



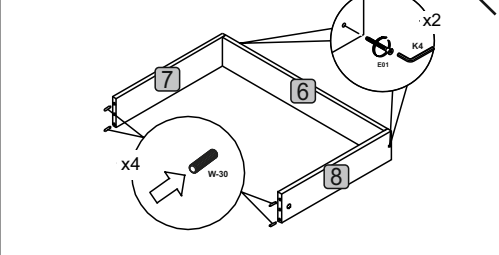
20 7x50  
8x E01 1x K4



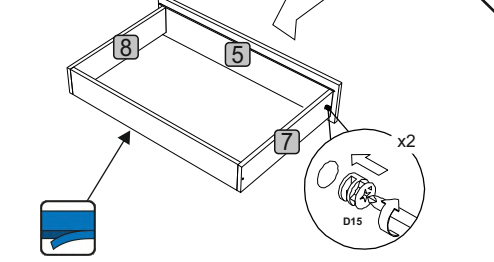
- 23**
- 4x  $\varnothing 15$  D15
- 4x R430 W-30



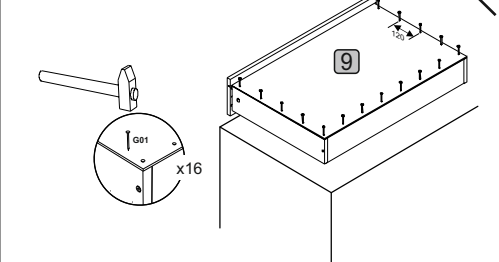
- 24**
- 2x T450 E01
- 1x 4mm K4
- 4x R430 W-30



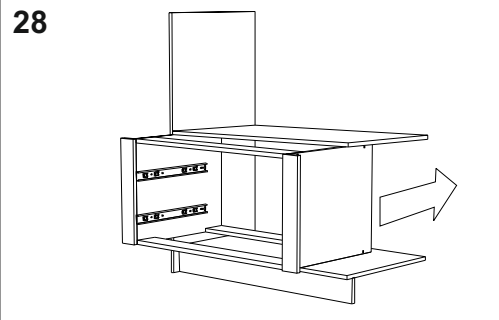
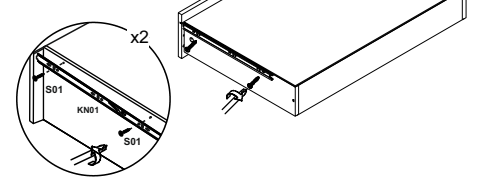
- 25**
- 2x  $\varnothing 15$  D15



- 26**
- 1.6x25 G01
- 16x



- 27**
- 3.5x16 S01
- 4x
- 2x KN01



- 29**
- 3.5x30 S06
- 8x

